

## STORAGE

Turn mirror OFF. BE SURE DIRECT SUNLIGHT DOES NOT STRIKE MIRROR WHEN LEFT UNATTENDED. Place in a cool, dry area, out of reach of children, where mirror will not be damaged.

## MAINTENANCE

Your lighted mirror is designed for household use and is virtually maintenance free. No lubrication is needed.

If cleaning becomes necessary, disconnect the appliance from the power source, allow it to cool and wipe exterior with a damp cloth. Clean mirror surfaces with a glass cleaner. Do not turn on until you are certain mirror is completely dry. If any abnormal condition occurs, return it to an authorized service center for repair.

## INSTRUCTIONS FOR USING BATTERIES

- Always purchase the correct size and grade of battery most suitable for the intended use.
- Replace old batteries of a set at the same time.
- Do not mix old and new batteries. Do not mix alkaline, standard (carbon-zinc) or rechargeable (nickel cadmium) batteries.
- Clean the battery compartment by blowing away any debris prior to battery installation.
- Ensure the batteries are installed correctly with regard to polarity (+ and -).
- Remove batteries from equipment that will not be used for an extended period of time.
- When batteries begin to fail, remove promptly.

## BATTERY DISPOSAL

Batteries contain various materials that must be recycled and disposed of properly. Do not dispose of in the municipal waste system.

## LIMITED ONE YEAR WARRANTY (U.S. AND CANADA ONLY)

Conair will repair or replace (at our option) your unit free of charge for 12 months from the date of purchase if the appliance is defective in workmanship or materials. To obtain service under this warranty, return the defective product to the service centre listed below, together with your purchase receipt and \$7.50 for postage and handling. In the absence of a purchase receipt, the warranty period shall be 12 months from the date of manufacture.

**ANY IMPLIED WARRANTIES, OBLIGATIONS, OR LIABILITIES, INCLUDING BUT NOT LIMITED TO THE IMPLIED WARRANTY OF MERCHANTABILITY AND FITNESS FOR A PARTICULAR PURPOSE, SHALL BE LIMITED IN DURATION TO THE 12 MONTH DURATION OF THIS WRITTEN, LIMITED WARRANTY.**

**IN NO EVENT SHALL CONAIR BE LIABLE FOR ANY SPECIAL, INCIDENTAL, OR CONSEQUENTIAL DAMAGES FOR BREACH OF THIS OR ANY OTHER WARRANTY, EXPRESS OR IMPLIED, WHATSOEVER.**

This warranty gives you specific legal rights, and you may also have other rights, which vary from province to province.

## SERVICE CENTRE :

### CONAIR CONSUMER PRODUCTS ULC

100 Conair Parkway, Woodbridge, Ont. L4H 0L2

Printed in China

1-855-926-6247

Visit our Web site: [www.conaircanada.ca](http://www.conaircanada.ca)

Consumer Call Centre E-mail:

[Consumer\\_Canada@Conair.com](mailto:Consumer_Canada@Conair.com)

©2019 CONAIR CONSUMER PRODUCTS ULC

19CN034536

IB-16333

renew · refresh · revive

true glow™

lighted makeup mirror for a gentle glow.



## HAVE A QUESTION?

*Please do not return this product to the retailer.*

### CALL US FIRST!

Our customer service and product experts are ready to answer **ALL** your questions. Please call our **TOLL-FREE** customer service number at :

**1-855-926-6247**

Or visit us online at

**[www.conaircanada.ca](http://www.conaircanada.ca)**

## Use & Care Guide

For your safety and continued enjoyment of this product, always read the instruction book carefully before using.

Model TGBE90C

# IMPORTANT SAFETY INSTRUCTIONS

WHEN USING ELECTRICAL APPLIANCES, ESPECIALLY WHEN CHILDREN ARE PRESENT, BASIC SAFETY PRECAUTIONS SHOULD ALWAYS BE TAKEN, INCLUDING THE FOLLOWING:

**READ ALL INSTRUCTIONS BEFORE USING APPLIANCE. KEEP AWAY FROM WATER.**

**DANGER** — TO REDUCE THE RISK OF ELECTRIC SHOCK: ALWAYS UNPLUG THIS APPLIANCE FROM THE ELECTRICAL OUTLET BEFORE CLEANING.

**WARNING** — TO REDUCE THE RISK OF BURNS, ELECTROCUTION, FIRE, OR INJURY TO PERSONS:

1. Read all instructions before using the appliance.
2. To protect against electrical hazards, do not use while bathing or in the shower.
3. Close supervision is necessary when any appliance is used by or near children or individuals with certain disabilities.
4. Do not operate this appliance if the appliance malfunctions or has been dropped or damaged or dropped into water. Return appliance to nearest service facility for examination, electrical or mechanical adjustment, or repair. No repairs should be attempted by the consumer.
5. Use appliance only for its intended use as described in this instruction book. The use of attachments not recommended or sold by Conair may be hazardous.

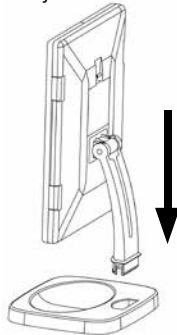
6. Do not use outdoors or operate where aerosol (spray) products are being used, or where oxygen is being administered.
7. Be sure mirror is not in a position where it can reflect sunlight; reflected sunlight can cause fire.
8. Do not use on a soft surface, such as a bed, where openings may be blocked.
9. Turn mirror OFF before storing.
10. Do not place or store appliance where it can fall or be pulled into a tub or sink.
11. Do not place in or drop into water or other liquids.
12. If the appliance falls into water, **do not reach into the water.**

**FOR HOUSEHOLD USE ONLY**

## SAVE THESE INSTRUCTIONS

### How To Assemble

1. Align the base and stand of the mirror with the tray and the main mirror facing the same direction.
2. Insert the main mirror stand into base.
3. Ensure that the main mirror and the base are connected securely.

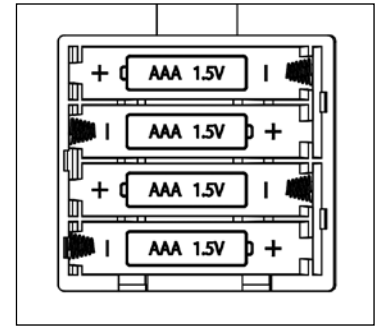


# OPERATING INSTRUCTIONS

1. Your LED lighted makeup mirror has three panels with 1x/2x/3x magnification.
2. This unit operates on 4 AAA batteries (not included, see illustration).
3. After use, always turn mirror OFF.
4. The beauty and design of this mirror will complement any environment. Therefore, you may wish to leave the mirror displayed. However, if you choose to store the mirror, see STORAGE for detailed information.
5. This mirror has a Low/Mid/High light setting touch switch.

### Special Feature

This lighted makeup mirror uses energy saving LED bulbs. Replacement bulbs are not required.



4 AAA batteries needed

(Fig. 1)

### TO INSTALL BATTERIES (not included)

1. Remove battery cover.
2. Install 4 AAA new batteries as indicated on battery compartment (Fig. 1).
3. Replace battery cover by snapping it into place.